



We're The <sup>TRUCK</sup> Vibrator Guys.™

FAX: 401-539-2584

\* = INFORMATION REQUIRED FOR PROPER VIBRATOR RECOMMENDATION

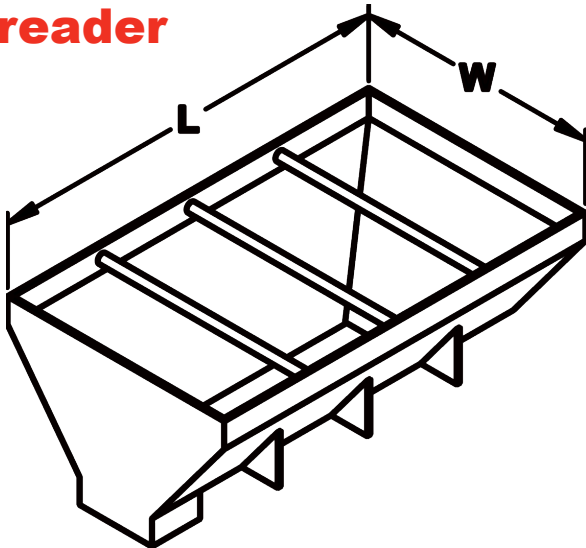
COMPANY \_\_\_\_\_  
CONTACT NAME \_\_\_\_\_  
ADDRESS \_\_\_\_\_  
PHONE \_\_\_\_\_ FAX \_\_\_\_\_  
EMAIL \_\_\_\_\_

**SPREADERS**

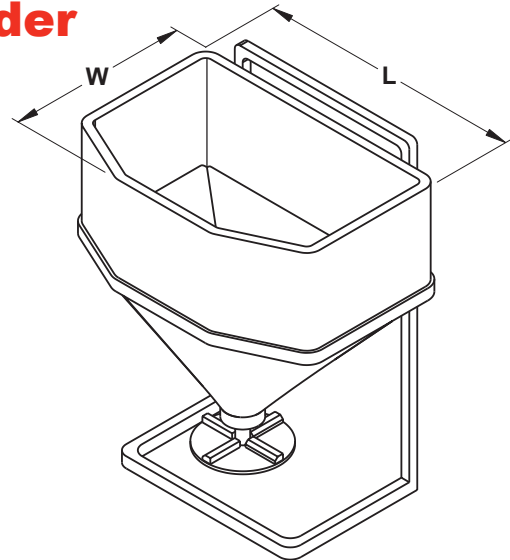
Body Material:  Steel  Stainless Steel  Aluminum  Plastic  Other: \_\_\_\_\_

Dimensions: Yardage: \_\_\_\_\_ Length: \_\_\_\_\_ Width: \_\_\_\_\_

**V-type**   
**Spreader**



**Tailgate**   
**Spreader**



**PLEASE INCLUDE**

engineering drawings & digital picture(s) of application & email them to **vibrators@vibco.com**.  
Or please include dimensions & notes regarding your application/problems on this form  
and fax it to **401-539-2584**.

**MATERIAL BEING SPREAD \***

Type of Material: \_\_\_\_\_

Moisture & Texture:  dry  damp  wet  sticky  dirt/soil  aggregate

Weight per cubic foot: \_\_\_\_\_ lbs

Spreader Problem:  sticking to sides  sticking to front of body OTHER: \_\_\_\_\_

**POWER AVAILABLE - preferred \***

AIR Volume: \_\_\_\_\_ CFM at: \_\_\_\_\_ PSI pressure at vibrators (not at compressor): \_\_\_\_\_

ELECTRIC 12 Volt: \_\_\_\_\_ 24 Volt: \_\_\_\_\_

HYDRAULIC PSI: \_\_\_\_\_ GPM: \_\_\_\_\_